

Concentric Reducing Ferrule

31WMP butt weld by Tri-Clamp concentric reducers allow a short, minimal dead leg transition between various sizes of sanitary tube.



Features

- 316L stainless steel construction
- 25Ra ID polish, 32Ra OD, other surface finishes available
- Wide Variety of sizes available
- All parts marked with heat numbers. MTR's available on request

Typical Applications

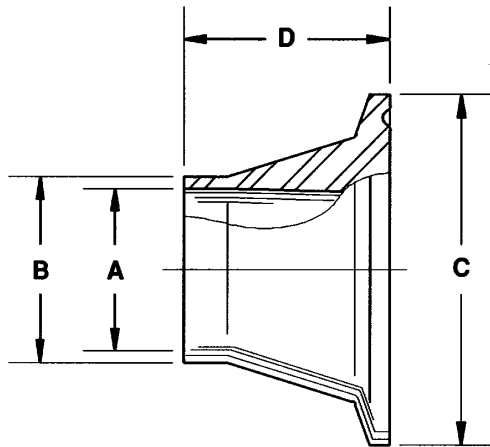
- Gauge Tees
- Short outlet reducing Tees
- Drain connections
- Steam trap connections

Concentric Reducing Ferrule

Part Number

31WMP-size x Size-316L-HH

- Sanitary clamp end is shown first.
- Custom sizes are available upon request.



Size	A	B	C	D
3/4 x 1/2	0.375	0.500	0.980	0.500
1 x 1/2	0.375	0.500	1.984	1.125
1 x 3/4	0.620	0.750	1.984	1.125
1 1/2 x 1/2	0.375	0.500	1.984	1.125
1 1/2 x 3/4	0.625	0.750	1.984	1.125
1 1/2 x 1	0.856	1.000	1.984	1.125
2 x 1/2	0.375	0.500	2.516	1.250
2 x 3/4	0.625	0.750	2.516	1.250
2 x 1	0.856	1.000	2.516	1.500
2 x 1 1/2	1.356	1.500	2.516	1.500
3 x 2	1.856	2.000	3.579	1.500

Holland[®]
APPLIED TECHNOLOGIES

Chicago

7050 High Grove Blvd.
Burr Ridge, IL 60527
Phone 630/325-5130
Fax 630/654-2518

www.hollandapt.com

Indianapolis

5647 West 73rd Street
Indianapolis, IN 46278
Phone 317/299-4372
Fax 317/299-4912