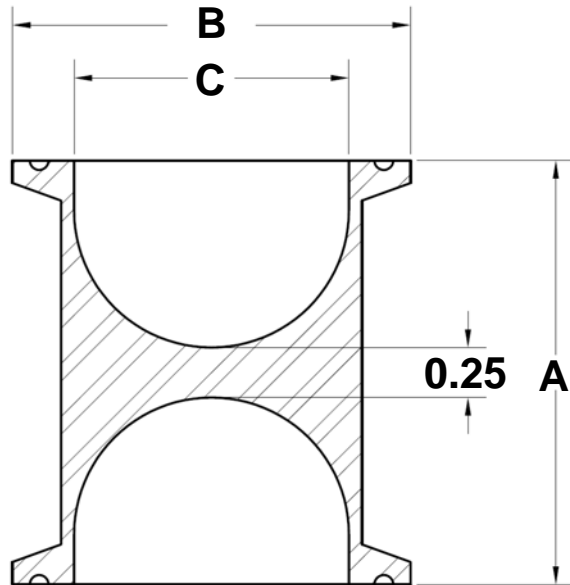


Sanitary Orifices



- *Fully draining when mounted in the vertical position*
- *316L stainless steel construction*
- *Sizes 1/2" through 4"*
- *Available with or without bore pre-drilled*
- *Surface finished available to 10Ra.*
- *Fully traceable, MTR's*

Sanitary Orifices



SIZE (inches)	A	B	C
1/2"	1.182	0.984	0.370
3/4"	1.432	0.984	0.620
1"	1.620	1.984	0.870
1 1/2"	2.120	1.984	1.370
2"	2.620	2.516	1.870
2 1/2"	3.120	3.047	2.370
3"	3.620	3.579	2.870
4"	4.584	4.682	3.834

Part Number

HOMM-(size)-316L-HH

Specify Bore Size When Ordering

Holland[®]
APPLIED TECHNOLOGIES

Chicago

7050 High Grove Blvd.
 Burr Ridge, IL 60527
 Phone 630/325-5130
 Fax 630/654-2518

www.hollandapt.com

Indianapolis

5647 West 73rd Street
 Indianapolis, IN 46278
 Phone 317/299-4372
 Fax 317/299-4912